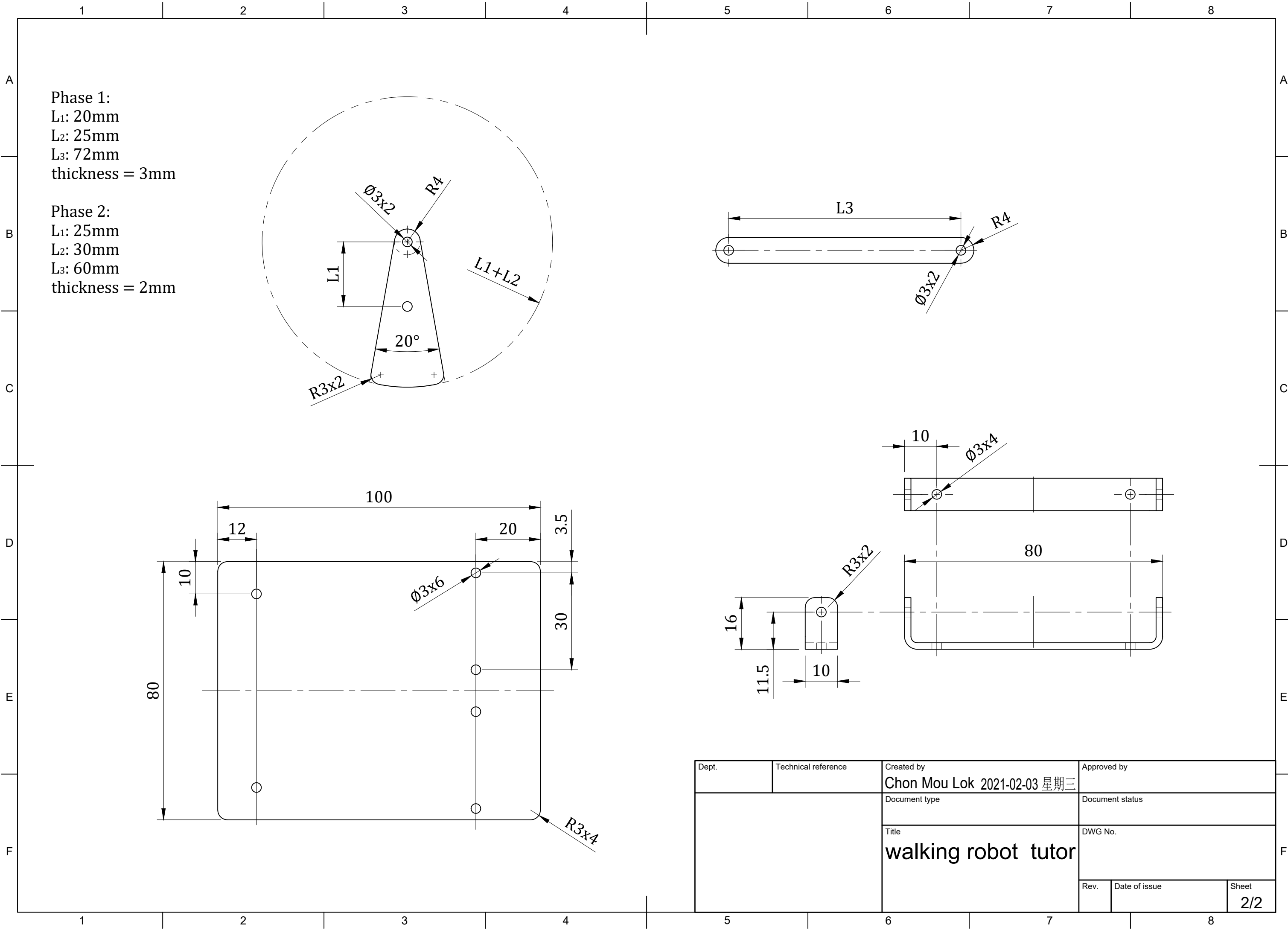


| | | | | |
|-------|---------------------|--------------------------------------------------|-----------------|---------------------|
| Dept. | Technical reference | Created by Chon Mou Lok 2021-02-03 星期三 | Approved by | |
| | | Document type | Document status | |
| | | Title walking robot tutor | DWG No. | |
| | | Rev. | Date of issue | Sheet 1/2 |



| | | | | |
|-------|---------------------|--------------------------------------------------|---------------------|--|
| Dept. | Technical reference | Created by Chon Mou Lok 2021-02-03 星期三 | Approved by | |
| | | Document type | Document status | |
| | | Title walking robot tutor | DWG No. | |
| Rev. | Date of issue | | Sheet 2/2 | |